

PRODUCT INFORMATION PACKET

Model No: 213THTS9001
Catalog No: W530
7 1/2,3600,TENV,213T,3/60/460
Severe Duty



Regal and Marathon are trademarks of Regal Beloit Corporation or one of its affiliated companies.
©2018 Regal Beloit Corporation, All Rights Reserved. MC017097E





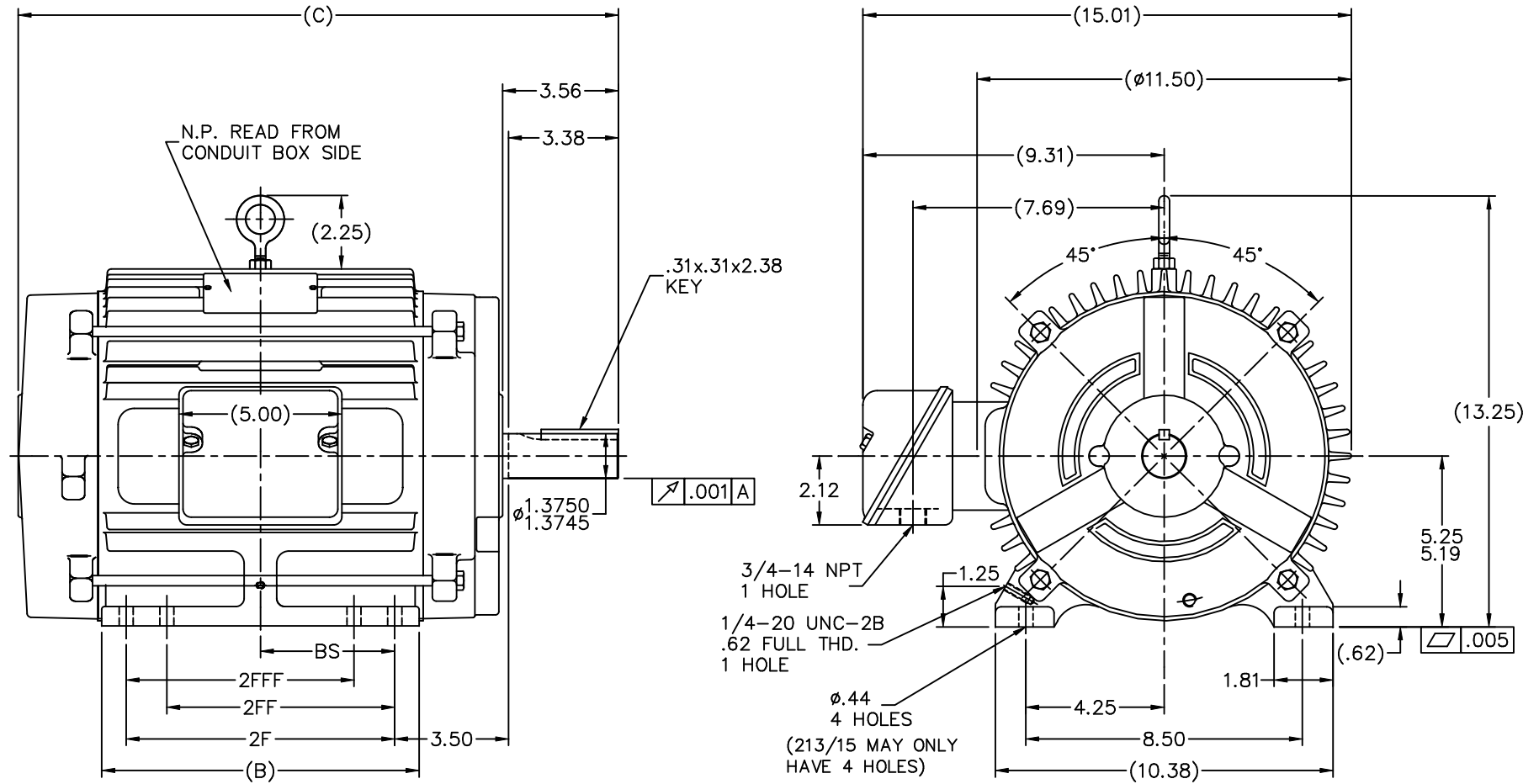
Nameplate Specifications

Output HP	7.50 Hp	Output KW	5.6 kW
Frequency	60 Hz	Voltage	460 V
Current	8.9 A	Speed	3535 rpm
Service Factor	1.15	Phase	3
Efficiency	91.7 %	Duty	Continuous
Insulation Class	F	Design Code	B
KVA Code	H	Frame	213T
Enclosure	Totally Enclosed Non Ventilated	Overload Protector	No
Ambient Temperature	40 °C	Drive End Bearing Size	6307
Opp Drive End Bearing Size	6206	UL	Recognized
CSA	Y	CE	Y
IP Code	56		

Technical Specifications

Electrical Type	Squirrel Cage Inverter Rated	Starting Method	Line Or Inverter
Poles	2	Rotation	Reversible
Mounting	Rigid base	Motor Orientation	Horizontal
Drive End Bearing	Ball	Opp Drive End Bearing	Ball
Frame Material	Cast Iron	Shaft Type	T
Overall Length	17.18 in	Frame Length	8.75 in
Shaft Diameter	1.375 in	Shaft Extension	3.56 in
Assembly/Box Mounting	F1/F2 Capable		
Outline Drawing	B-SS85995A-875	Connection Diagram	A-EE7300

This is an uncontrolled document once printed or downloaded and is subject to change without notice. Date Created: 07/02/2018



- NOTES:
 1. BOX CAN BE ROTATED IN 90° STEPS.
 2. BOX CAN BE MOUNTED ON OPPOSITE SIDE BY REMOVING BRACKETS AND TURNING FRAME 180°.

DASH	FRAME	B	2F	2FF	2FFF	BS	C	AG
725	213T	7.00	5.50	-	-	2.75	15.68	12.30
875	215T	8.50	7.00	-	-	3.50	17.18	13.08
875	213/5T	8.50	7.00	5.50	5.50	3.50	17.18	13.80
1000	213T	9.75	8.25	5.50	5.50	4.12	18.43	15.05
1000	215T	9.75	8.25	7.00	7.00	4.12	18.43	15.05

		TOLERANCES UNLESS SPECIFIED		MARATHON ELECTRIC		DRAWN BLR 09-30-1999	
		DEC.	INCHES			CHK	DRS 10-01-1999
3	REDRAWN IN AUTOCAD	TAT	06-29-2004	ML	.XX ±.03	TITLE OUTLINE	
2	REVISED BACK TO ORIGINAL, NO C' FACE	CN	28426	CAV	03-29-2000	210 FR. - TENV - CAST CONDUIT BOX	
1	NEW DRAWING	BLR	10-01-1999	.XXX	±.005	SCALE 5-16	
NO. REVISION		BY & DATE		CHK	ANG ±7'30"	APPD GK 10-01-1999	
THIS DRAWING IN DESIGN AND DETAIL IS OUR PROPERTY AND MUST NOT BE USED EXCEPT IN CONNECTION WITH OUR WORK ALL RIGHTS OF DESIGN AND INVENTION ARE RESERVED THIS IS AN ELECTRONICALLY GENERATED DOCUMENT - DO NOT SCALE THIS PRINT		RFP	CAD FILE ss85995a		SIZE		DRAWING NO. PAGE OF REV.
		DIST	LB	B		SS85995A 3	

**THREE PHASE - SINGLE VOLTAGE
MOTOR - CONDUIT BOX @ 'A'**

**TO REVERSE ROTATION:
INTERCHANGE ANY TWO
LINE LEAD CONNECTIONS.**

TERMINAL BLOCK WHEN SPECIFIED



VIEW OF TERMINAL END

**IF MOTOR HAS
6 LEADS**



A-9806 DECAL

**OPTIONAL CORD
CONNECTION**



DRAWING REVISION AB	REVISION BY JJB	DATE 06-27-2017
ECO ECO-0125361	APPROVED BY TB	DATE 06-27-2017
ECO DESCRIPTION UPDATED TO CURRENT STANDARDS		
<small>COPYRIGHT REGAL BELOIT AMERICA, INC. ALL RIGHTS RESERVED. PROPRIETARY AND CONFIDENTIAL INFORMATION - THIS DOCUMENT IS THE PROPERTY OF REGAL BELOIT AMERICA, INC. ('OWNER') AND CONTAINS OWNER'S PROPRIETARY INFORMATION. ANY PERSON, CORPORATION OR OTHER FIRM RECEIVING IT IS DEEMED, BY RECEIVING IT, TO AGREE THAT IT, AND/OR ANY PART OF IT, SHALL NOT BE DISCLOSED TO ANY PERSON, CORPORATION OR OTHER ENTITY, DUPLICATED, AND/OR USED, EXCEPT AS EXPRESSLY APPROVED IN WRITING IN ADVANCE BY OWNER. THIS DOCUMENT SHALL BE RETURNED TO OWNER UPON REQUEST. IT MAY BE SUBJECT TO CERTAIN RESTRICTIONS UNDER APPLICABLE EXPORT CONTROL LAWS AND REGULATIONS.</small>		



DRAWN BY DA
DATE 03-26-1993
APPROVED BY TB
DATE 03-26-1993
REFERENCE
THIRD ANGLE PROJECTION

Regal Beloit America, Inc.		
		DESCRIPTION CONNECTION DIAGRAM EXTERNAL - SINGLE VOLTAGE - 3Ø MOTOR
MATERIAL	PROCESS/FINISH	
SIZE A	DRAWING NUMBER EE7300	SHEET 1 OF 1

Data Sheet

Date: 19-06-2017
 Customer: _____
 Attention: _____
 Submitted by: FAREEDA DUDEKULA



213THTS9001

Submittal

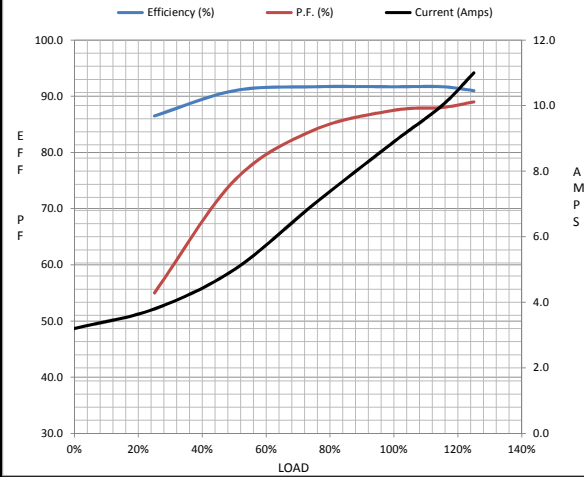
Data @ 460 V

Motor Load Data

Load	0%	25%	50%	75%	100%	115%	125%	LR
Current (Amps)	3.2	3.8	5.0	7.0	8.9	10.0	11.0	63.5
Torque (ft-lb)	0.00	2.80	5.5	8.3	11.1	13.0	14.0	22.5
RPM	3600	3585	3570	3555	3535	3,525	3515	0
Efficiency (%)		86.5	91.0	91.7	91.7	91.7	91.0	
P.F. (%)	7.0	55.0	75.0	84.0	87.5	88.0	89.0	39.0

Motor Speed Data

	LR	Pull-Up	BD	Rated	Idle	Information Block	
Speed (RPM)	0	2200	3250	3535	3600	HP	7.5
Current (Amps)	63.5	60.0	41.0	8.9	3.2	Sync. RPM	3600
Torque (ft-lb)	22.5	21.0	37.0	11.1	0.00	Frame	213
						Enclosure	TENV
						Construction	TTS
						Voltage	460 V
						Frequency	60 Hz
						Design	A
						LR Code letter	H
						Service Factor	1.15
						Temp Rise @ FL	75 ° C
						Duty	CONT
						Ambient	40 ° C
						Elevation	1,000 feet
						Rotor/Shaft wk²	0.55 Lb-Ft²
						Ref Wdg	K213269 TS
						Sound Pressure @ 1M	65 dBA
						VFD Rating	CONSTANT 2:1
						Outline Dwg	B-SS85995A-875
						Conn. Diag	A-EE7300



HP	7.5			
Sync. RPM	3600			
Frame	213			
Enclosure	TENV			
Construction	TTS			
Voltage	460 V			
Frequency	60 Hz			
Design	A			
LR Code letter	H			
Service Factor	1.15			
Temp Rise @ FL	75 ° C			
Duty	CONT			
Ambient	40 ° C			
Elevation	1,000 feet			
Rotor/Shaft wk²	0.55 Lb-Ft²			
Ref Wdg	K213269 TS			
Sound Pressure @ 1M	65 dBA			
VFD Rating	CONSTANT 2:1			
Outline Dwg	B-SS85995A-875			
Conn. Diag	A-EE7300			
Additional Specifications:				
0				
365THFS8036				
EQUIV CKT (OHMS / PHASE)				
R1	R2	X1	X2	Xm
0.6880	0.4690	2.2980	2.3930	80.9680

Speed -Torque Curve

